

Known

Basic

Pilot ID #

C:\Documents and Settings\lad\Mes documents\Voltige planeur\2009\Progra

Flight #

No	Symbol	Catalog No	K	Tot K	Score	Remarks
1		1.6.3	10	10		
				sf=7		
2		8.1.1	13	13		
				sf=7		
3		8.14.1 9.1.4.2	12 6	18		
				sf=7		
4		5.1.1	17	17		
				sf=5		
5		1.1.3 9.1.3.2	2 6	8		
				sf=7		
6		2.2.2	5	5		
				sf=2		
7		1.1.4 9.1.3.2	2 6	8		
				sf=7		
8		8.42.1 9.1.4.2	10 6	16		
				sf=7		
9		1.1.1 9.2.3.4	2 14	16		
				sf=7		

Item	K	Score
Positioning		
PENALTIES	Interruptions	
	Insertions	
	Too high	
	Too low	
	Outs	
	Other	
	Disqual Fig #	
T/O time		
End time		

Fig K	Total K
111	

Judges Details
Signature
Name
Number



---Total K= 111 ---

pilot

A/C



ESPOIR CONNU 2009

Oct 2008

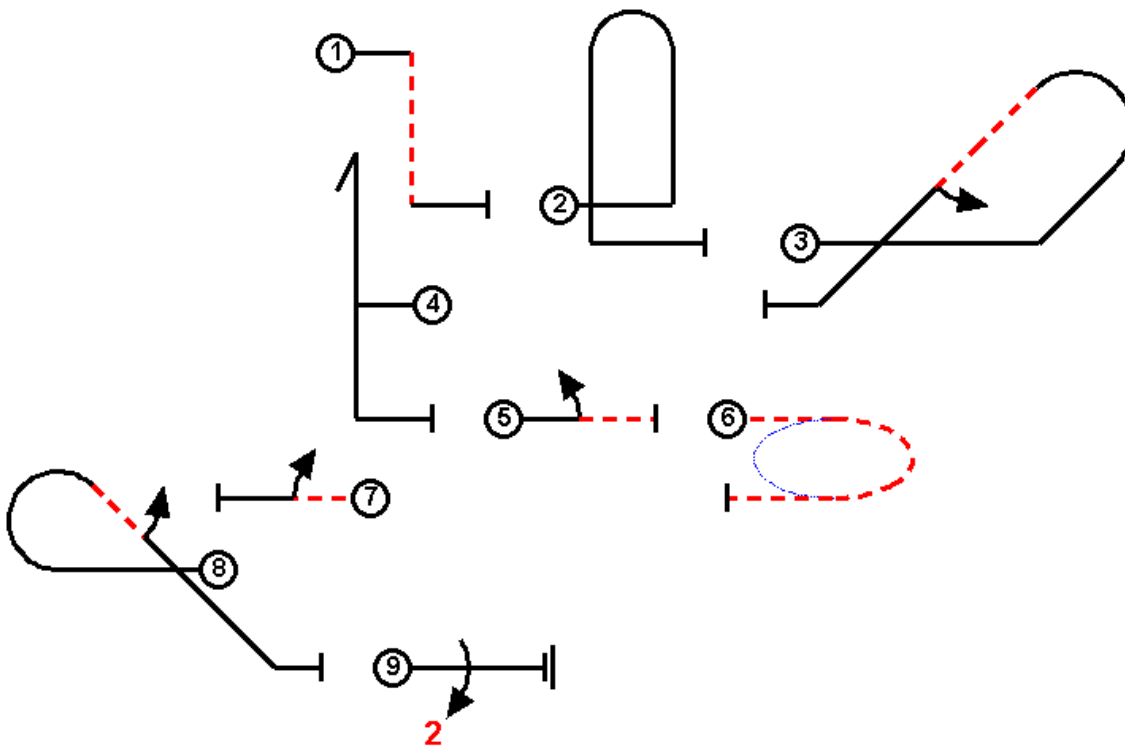
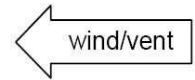
FORM B

Pilot ID #

Known

Basic

Flight #

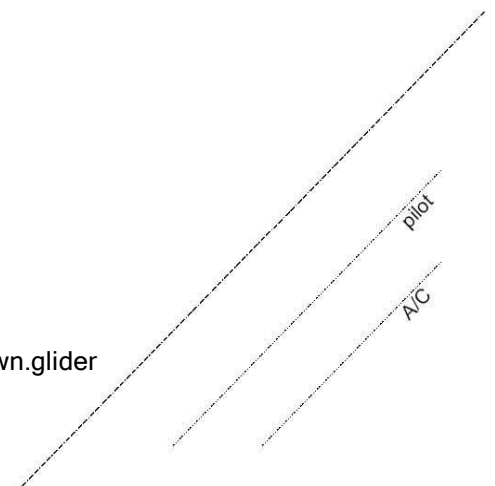


Olan v5.8 © M.Golan http://www.aerobatics.org.il/olan

No Verification information available for this sequence type: civa.basic.known.glider

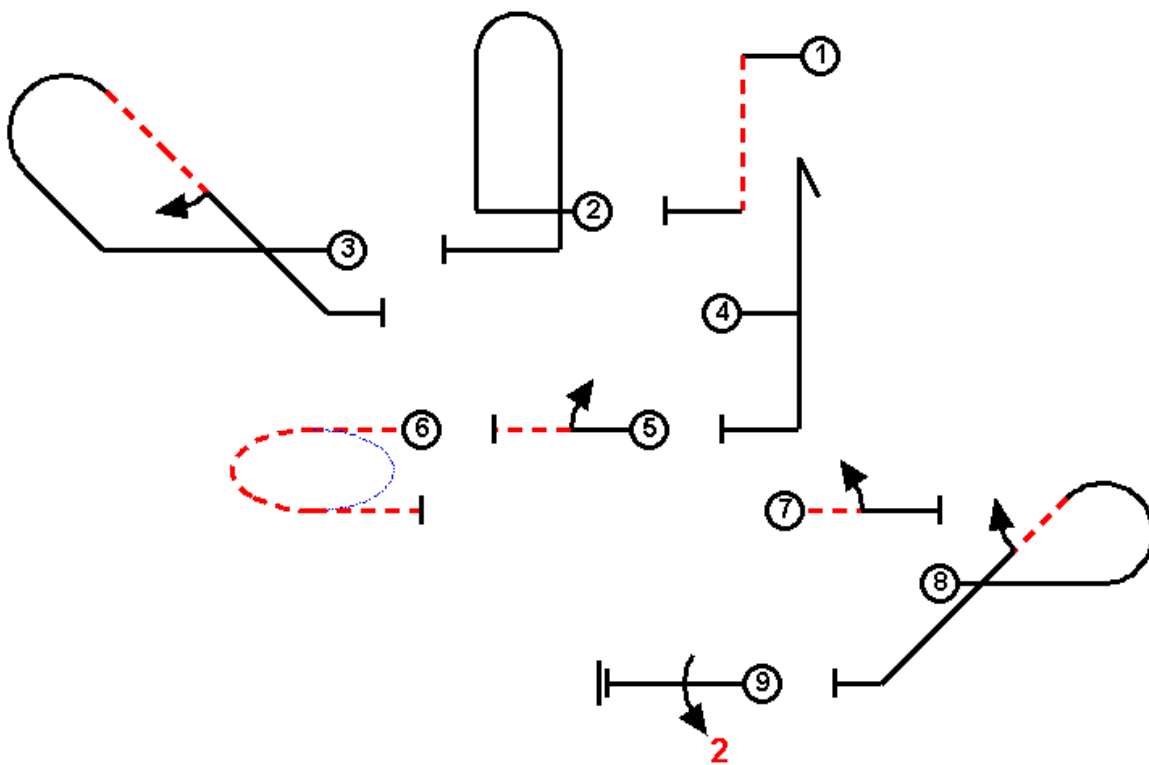
iv b db2 h 2- -2j- -2 c2 22

C:\Documents and Settings\lad\Mes documents\Voltige planeur\2009\Pr





ESPOIR CONNU 2009		Oct 2008	FORM C
Pilot ID #	Known	Basic	Flight #



Olan v5.8 © M.Golan <http://www.aerobatics.org.il/olan>

No Verification information available for this sequence type: civa.basic.known.glider

iv b db2 h 2- -2j- -2 c2 22

C:\Documents and Settings\lad\Mes documents\Voltige planeur\2009\Pr

